

DRILLING MACHINE, MP-185-A

—• Machine for drilling pipes on mains branch connections, models CA and CA-C



FC-41-PMH-06E



ACUSTER



INFORMATION

> Specifications

> The drilling machine for under pressure or pressureless pipes, model MP-185-A, is specially designed for use on mains branch connections with PE outlet pipes corresponding to the CA and CA-C series.

> The machine can be adapted to the different branch connection pipe outlets using domes of 25, 32, 40, 50 and 63 mm.

> It is heavy duty and easy-to-use and allows rapid interchanging of the various domes.

> Applications

Pipes: The machine can be used to drill pipes made of any material: grey cast iron, ductile cast iron, steel, asbestos cement, polyester, clay, etc.

Range of application: The range determined for the branch connection outlet (from 25 mm to 63 mm).

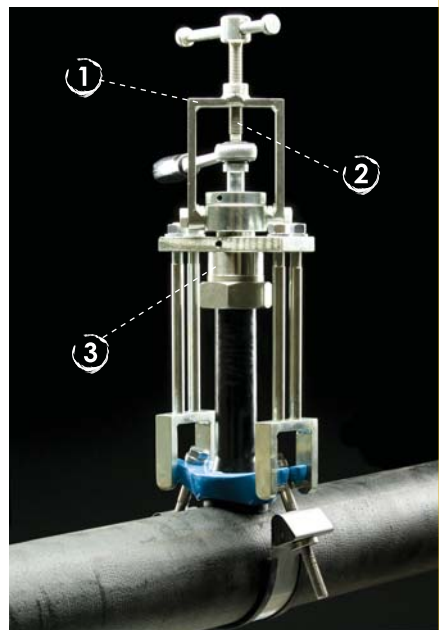
Working pressures: 16 bar (for water).



MATERIAL SPECIFICATIONS

- ① **Machine body:**
Carbon steel, zinc-plated.
 - ② **Drilling axle:**
Carbon steel, chrome hardened.
 - ③ **Available domes:**
Diameters 25, 32, 40, 50 and 63 mm.
Carbon steel, zinc-plated.
- **Grinders for hoods:**
High-speed steel.
 - **Hood-ring connection:**
Compression nut and rubber gasket.

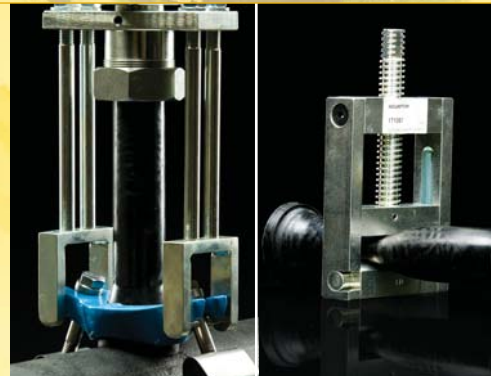
➤ in the part





ASSEMBLY

The **MP-185-A drilling machine** is used fitted on the CA/CA-C branch connection previously installed on the pipe.
For correct drilling, please consult the User Manual MU-41-07E supplied with the machine.



SUPPLY

The machine and tools required for use are supplied in a transport case.

Optional:

The adapter domes, which can be ordered to suit the client's requirements. Each dome includes the corresponding hole saw.

The manual squeezer, model CA-EM 50, if the client wishes to perform the drilling operation on under pressure pipes with the CA branch connection (squeeze-off system).



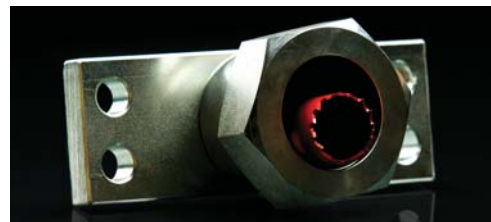
For CA and CA-C mains specifications, please see the corresponding catalogue.



OPTIONS

Equivalences between adapter dome diameters and hole saws:

Dome	Hole saw (mm)
PE 25	17
PE 32	22
PE 40	27
PE 50	38
PE 63	46



SPARES

- > Domes of 25 mm to 63 mm.
- > Variable pitch hole saws.

DRILLING MACHINE, MP-185-A

- Machine for drilling pipes on mains branch connections, models CA and CA-C



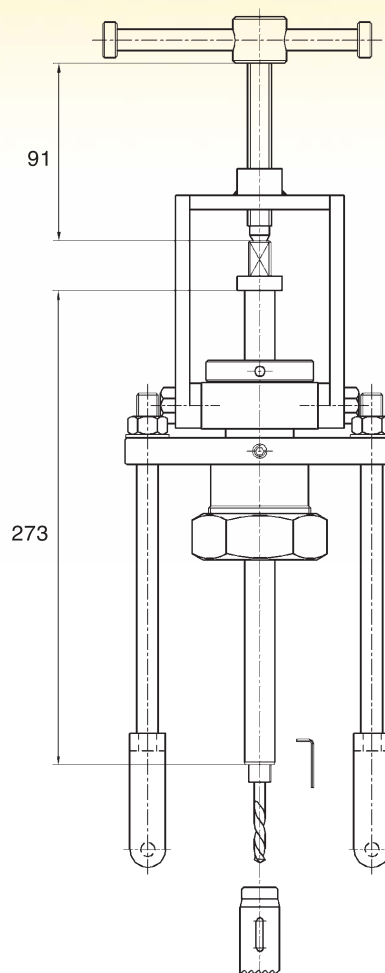
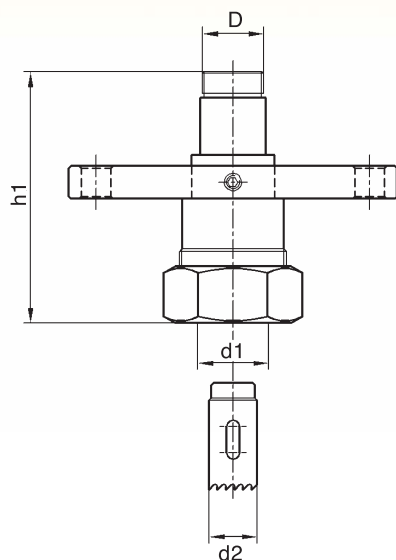
MAINTENANCE

As the manufacturer of the MP-185 A drilling machines, Acuster group has an after sales department and offers all our clients our facilities, tooling and skilled staff for:

- > Maintenance work, overhauls and repairs as necessary for the correct operation of their equipment for many years, ensuring a lengthy service life.
- > The supply of spares.
- > Technical consultancy service.



DIMENSIONS



Sizes	PE25	PE32	PE40	PE50	PE63
D	M28 x 1,5				
d1	26,5	35	43	53	65
d2	17	22	27	38	46
h1	108	115	115	108	121,5

• RELATED DATASHEETS •

PTR Rigid pipe accessories programme :

CA BRANCH CONNECTION (PE pipe outlet saddle)
CA-C BRANCH CONNECTION (PE pipe outlet tapping saddle)

FC-63-PTR-04E
 FC-63-PTR-05E

PMH Machinery and tools programme :

MANUAL SQUEEZERS FOR PE PIPES

FC-71-PMH-08E

The information provided in this publication is subject to change without notice.



Juan de la Cierva, 1; Políg. Ind. nº 1
 08960 SANT JUST DESVERN (Barcelona) - SPAIN
 Tel. +34 93 470 30 70 - Fax +34 93 473 00 77
<http://www.acuster.com> mail@acuster.com