

## TOOLS FOR PE PIPELINES (II): MANUAL SQUEEZERS

Manual squeezers for working on under pressure polyethylene pipelines with a diameter of from 20 mm to 90 mm



FC-71-PMH-08E



ACUSTER

# TOOLS FOR PE PIPELINES (II): MANUAL SQUEEZERS

- Manual squeezers for working on under pressure polyethylene pipelines with a diameter of from 20 mm to 90 mm



## INFORMATION

### > Specifications

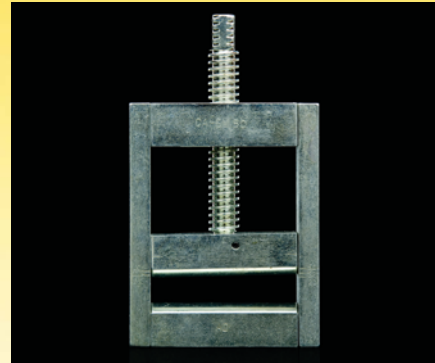
#### **CA-EM 50 MANUAL SQUEEZER**

For squeezing off high, medium and low density PE pipes of diameter 25, 32, 40 and 50 mm.

Comprising:

- > Base support.
- > Mobile squeeze element.

Operated by manual switch or 1/2" ratchet wrench.



#### **32-40-63 MEDIUM/HIGH DENSITY AND 25-32-40-50-63 LOW DENSITY MANUAL SQUEEZER**

Comprising:

- > Base support.
- > Mobile support with torque handle.
- > Fixed support cylinder.
- > Stop plates with the marks of the diameters to be squeezed.



#### **32-40-63-90 MEDIUM/HIGH DENSITY MANUAL SQUEEZER**

Comprising:

- > Base support.
- > Bridge.
- > Mobile support with torque handle.
- > Fixed support cylinder.
- > Stop plates with the marks of the diameters to be squeezed.





## INFORMATION

### > Applications

<b>Pipes:</b>	Calibrated to squeeze-off high, medium and low density polyethylene pipes.
<b>Range of Application:</b>	Diameter of from 20 to 90 mm. (According to model).
<b>Working pressures:</b>	SDR17 and SDR11 (PN10 and PN16).



## MATERIAL SPECIFICATIONS

The squeezers manufactured by Acuster group are manufactured in zinc-plated carbon steel.



## ASSEMBLY

- > Open the squeezer to a minimum distance from the diameter of the pipe that is to be squeezed-off.
- > Turn the side stops (model 63 and 90) so that the marked diameter and density, which must coincide with the pipe that is to be squeezed-off, is at the bottom.
- > Dismount or remove (according to model) the bottom squeezer support cylinder.
- > Fit the top cylinder at the exact point that is to be squeezed-off.
- > Insert or mount the bottom cylinder on the squeezer. Adjust and centre.
- > Turn the lever clockwise to squeeze-off the pipe until the side stops come into contact with the bottom roller (model 63 and 90) or until the marks on the body and the top roller coincide with the diameter of the squeezed-off pipe (CA-EM 50 model).

**Important:** Before applying the squeezer, check that the pipe is centred and perpendicular to the spindle.



## OPTIONS

- > We have 1/2" ratchet wrench for the CA-EM 50 squeezer.
- > Spare stops.



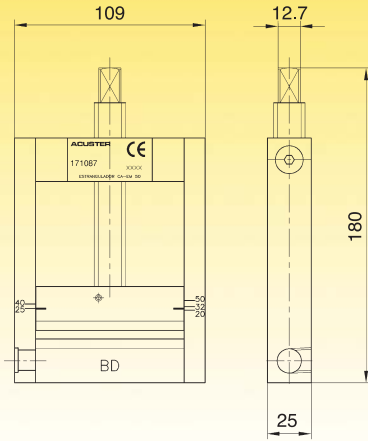
# TOOLS FOR PE PIPELINES (II): MANUAL SQUEEZERS

- Manual squeezers for working on under pressure polyethylene pipelines with a diameter of from 20 mm to 90 mm

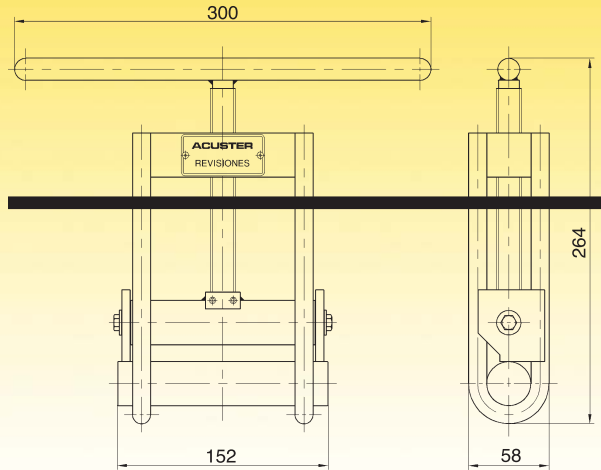


## DIMENSIONS

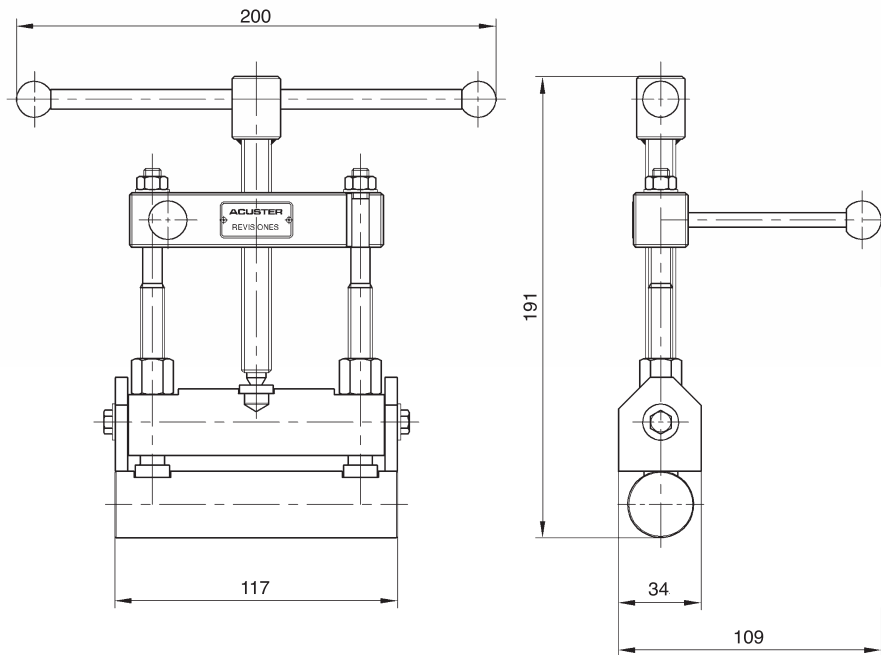
CA-EM 50



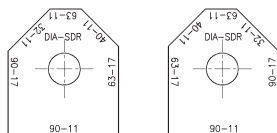
32-40-63 SQUEEZER



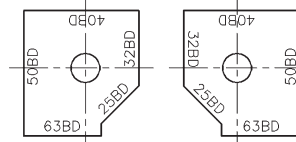
32-40-63-90 SQUEEZER



90 SQUEEZER STOPS



63 SQUEEZER STOPS



### • RELATED DATASHEETS •

PMH Machinery and tools programme :

**HYDRAULIC 30 TM SQUEEZER  
TOOLS FOR PE  
PE CUTTING TOOLS** (pipe cutter)

FC-71-PMH-09E  
FC-71-PMH-10E  
FC-52-PMH-11E

The information provided in this publication is subject to change without notice.



Juan de la Cierva, 1; Políg. Ind. nº 1  
08960 SANT JUST DESVERN (Barcelona) - SPAIN  
Tel. +34 93 470 30 70 - Fax +34 93 473 00 77  
<http://www.acuster.com> [mail@acuster.com](mailto:mail@acuster.com)