

# TOOLS FOR PE PIPELINES (III)

Aligning tools, squeezer rerounders, rerounding tools and pipe support rollers for working with polyethylene pipelines



FC-52-PMH-10E



ACUSTER



## INFORMATION

### > Models

#### ALIGNING TOOL:

In the form of a support, adaptable to the exterior diameters of certain PE pipes. Its function is to align, round, position and immobilise PE pipes during the electrofusion process.

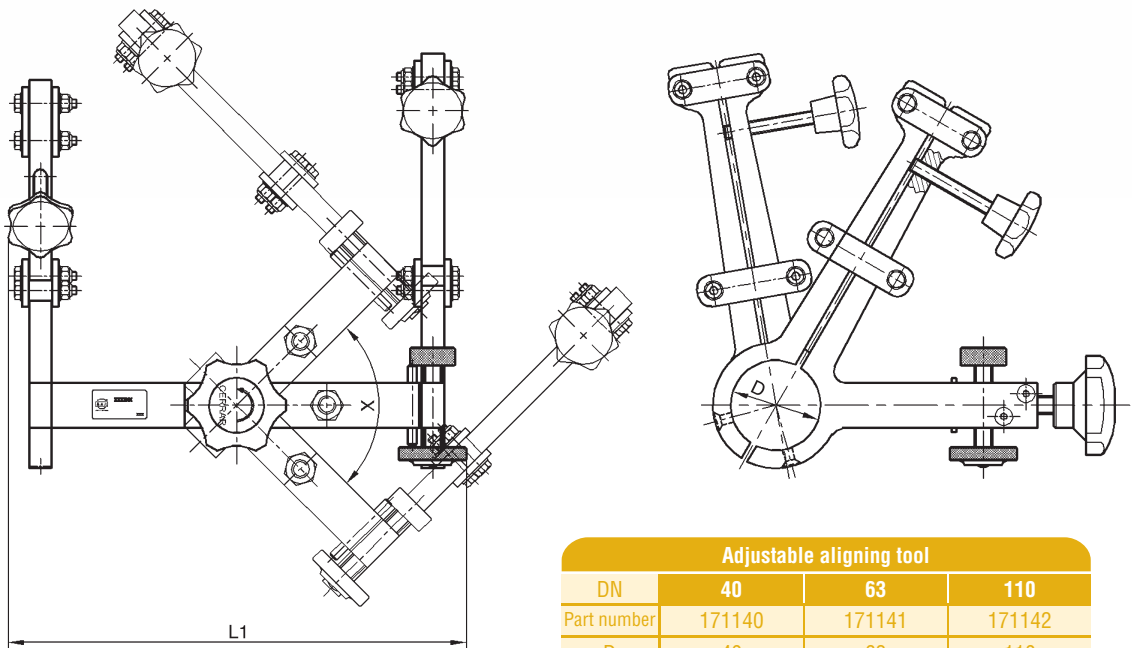
It shall have two or more fastening clamps, which can be opened in a position that is similar to a fastening flange or sector thanks to a turning point that is common to both parts or with the linear adjustment of two sectors.

According to the diameter and use, the aligning tools shall have different constructions.

There shall be two types of aligning tools:

- > Adjustable aligning tool: Up to diameter 110.
- > Fixed aligning tool: As from diameter 160.

Consult the section on spares for the combinations available for all diameters.

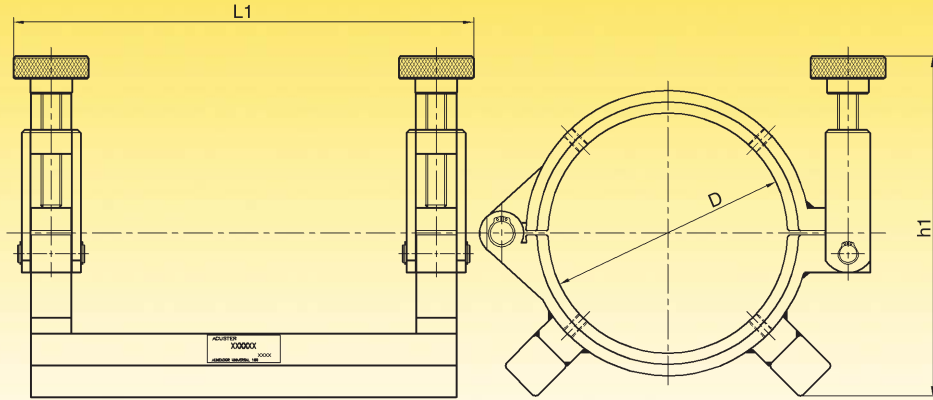


| Adjustable aligning tool |                |                |                |
|--------------------------|----------------|----------------|----------------|
| DN                       | 40             | 63             | 110            |
| Part number              | 171140         | 171141         | 171142         |
| D                        | 40             | 63             | 110            |
| L1                       | 203            | 259            | 387            |
| X                        | 0° - 45° - 90° | 0° - 45° - 90° | 0° - 45° - 90° |

| Adjustable aligning tool adapters |         |         |         |         |         |          |          |
|-----------------------------------|---------|---------|---------|---------|---------|----------|----------|
| DN                                | 40 x 20 | 40 x 32 | 63 x 32 | 63 x 40 | 63 x 50 | 110 x 63 | 110 x 75 |
| Part number                       | 171242  | 171244  | 171248  | 171247  | 171246  | 171250   | 171251   |
| d1                                | 40      | 40      | 63      | 63      | 63      | 110      | 110      |
| d2                                | 20      | 32      | 32      | 40      | 50      | 63       | 75       |



## INFORMATION



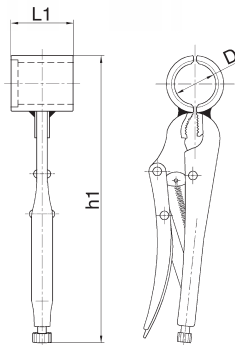
| Fixed aligning tool |           |           |           |           |
|---------------------|-----------|-----------|-----------|-----------|
| DN                  | 160 x 140 | 160 x 125 | 200 x 180 | 200 x 160 |
| Part number         | 171223    | 171225    | 171237    | 171239    |
| D                   | 160       | 200       | 250       | 315       |
| L1                  | 307       | 340       | 353       | 388       |
| h1                  | 226       | 256       | 347       | 375       |

| Fixed aligning tool adapters |           |           |           |           |
|------------------------------|-----------|-----------|-----------|-----------|
| DN                           | 160 x 140 | 160 x 125 | 200 x 180 | 200 x 160 |
| Part number                  | 171270    | 171271    | 171272    | 171273    |
| d1                           | 140       | 125       | 180       | 160       |
| d2                           | 160       | 160       | 200       | 175       |
| d3                           | 175       | 175       | 215       | 200       |

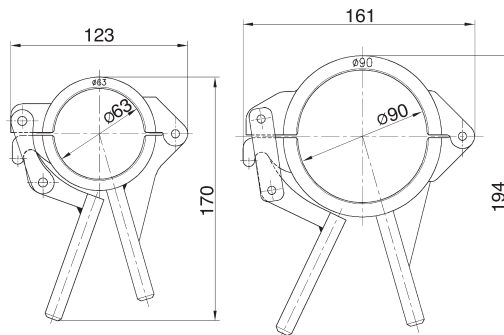
### SQUEEZE REROUNDER:

With a tubular shape, adaptable to the exterior diameters of PE pipes. Its function is to recover and re-round a PE pipe after it has been squeezed-off.

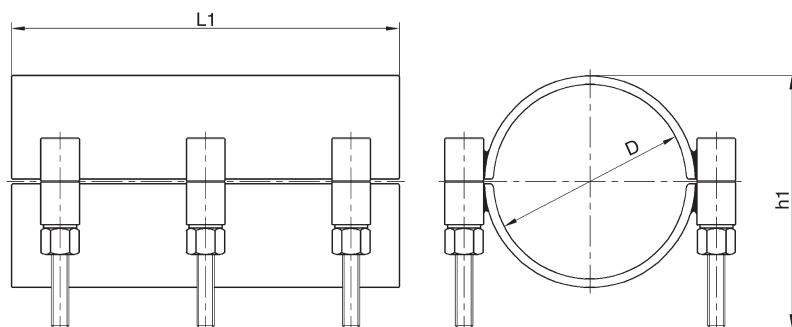
Up to diameter 50



Diameter 63 and 90



From diameter 110 to 200



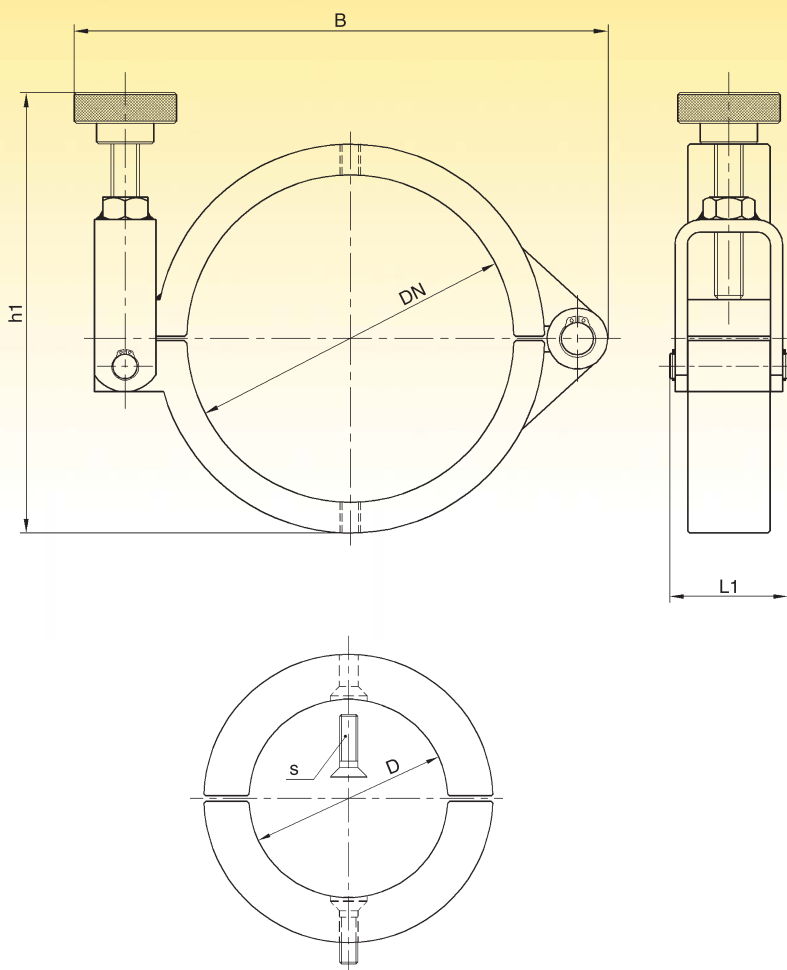


## INFORMATION

### > Models

#### REROUNDING TOOL:

With a cylindrical shape, it comprises two equal, symmetrical sectors similar to a tile. Its function is to round and hold a PE pipe and enable the insertion of electrofusion fittings. The clamp rerounding tools up to diameter 90 also act as rerounding tools.



| Rerounding tool |        |        |
|-----------------|--------|--------|
| DN              | 160    | 200    |
| Part number     | 171036 | 171037 |
| L1              | 58     | 58     |
| B               | 261    | 305    |
| h1              | 215    | 323,5  |

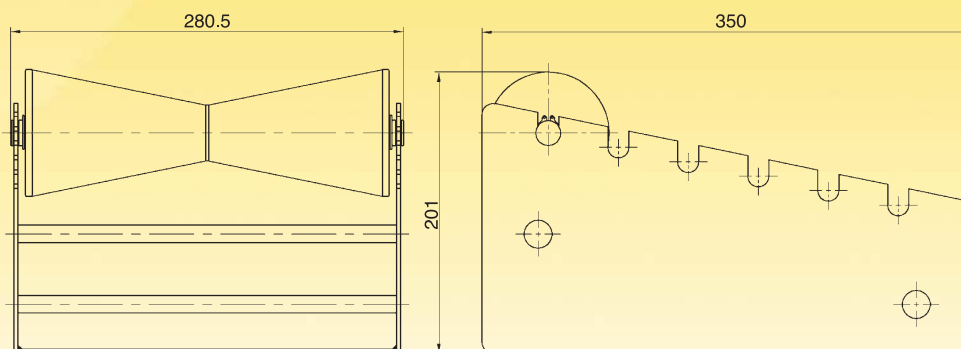
| Rerounding tool adapters |           |           |
|--------------------------|-----------|-----------|
| DN                       | 160 x 110 | 200 x 160 |
| Part number              | 171084    | 171083    |
| D                        | 110       | 160       |
| L1                       | 40        | 40        |



## INFORMATION

### PIPE SUPPORT ROLLER:

Support with adjustable roller to enable work on pipes during welding processes with end joint machinery.



## INFORMATION

### > Applications

#### Pipes:

Polyethylene pipes.

#### Range of application:

From diameter 20 to diameter 315.

### > Materials

The tools for PE pipelines are manufactured in zinc-plated carbon steel.



# TOOLS FOR PE PIPELINES (III)

- Aligning tools, squeezer rerounders, rerounding tools and pipe support rollers for working with polyethylene pipelines



## SPARES

Sets of pipe adapters available for greater flexibility with a low number of elements.



### Adjustable aligning tools      Set of adapters

|             |                    |
|-------------|--------------------|
| Diameter 40 | 40 x 20<br>40 x 32 |
|-------------|--------------------|

|             |                               |
|-------------|-------------------------------|
| Diameter 63 | 63 x 50<br>63 x 40<br>63 x 32 |
|-------------|-------------------------------|

|              |                                  |
|--------------|----------------------------------|
| Diameter 110 | 110 x 90<br>110 x 75<br>110 x 63 |
|--------------|----------------------------------|

### Fixed aligning tools      Set of adapters

|              |                                     |
|--------------|-------------------------------------|
| Diameter 160 | 160 x 140<br>160 x 125<br>160 x 110 |
|--------------|-------------------------------------|

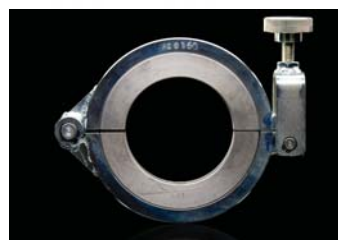
|              |                        |
|--------------|------------------------|
| Diameter 200 | 200 x 180<br>200 x 160 |
|--------------|------------------------|

|              |                        |
|--------------|------------------------|
| Diameter 250 | 250 x 225<br>250 x 200 |
|--------------|------------------------|

### Rerounding tools      Set of adapters

|              |           |
|--------------|-----------|
| Diameter 160 | 160 x 110 |
|--------------|-----------|

|              |           |
|--------------|-----------|
| Diameter 200 | 200 x 160 |
|--------------|-----------|



### • RELATED DATASHEETS •

PMH Machinery and tools programme :

**PE MANUAL SQUEEZERS**  
**HYDRAULIC 30TM SQUEEZER**  
**TOOLS FOR PE**

FC-71-PMH-08E  
FC-71-PMH-09E  
FC-71-PMH-10E

The information provided in this publication is subject to change without notice.



Juan de la Cierva, 1; Políg. Ind. nº 1  
08960 SANT JUST DESVERN (Barcelona) - SPAIN  
Tel. +34 93 470 30 70 - Fax +34 93 473 00 77  
<http://www.acuster.com> [mail@acuster.com](mailto:mail@acuster.com)