

ARH BRANCH T-CLAMP

Double band branch connection for rigid pipes with
DIN flange connection DN80/100 PN16



ARH BRANCH T-CLAMP

- Double band branch connection for rigid pipes with DIN flange connection DN80/100 PN16



INFORMATION

> Application

Pipes:	Grey cast iron, ductile cast iron, steel, asbestos cement, clay, etc.
Range of application:	For pipes with an outside diameter of from 168 to 660 mm and outlets to flange DN80/100 in PN10/PN16.
Working pressures:	Maximum working pressure, PN10.





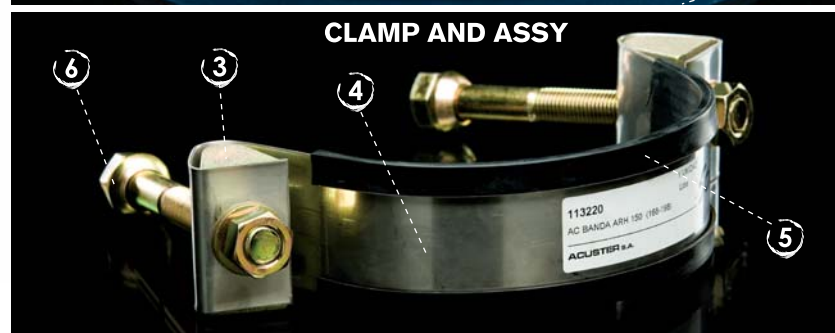
MATERIAL SPECIFICATIONS

BODY

- ① **Saddle:**
Ductile cast iron.
Nylon 11 Rilsan® coating, colour blue RAL 5012 (suitable for use with drinking water).
- ② **Gasket:**
EPDM, colour black (suitable for use with drinking water).

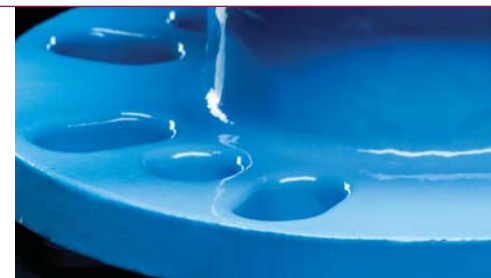
CLAMP BAND ASSY:

- ③ **Brackets:**
EN-GJS-400-15 ductile cast iron, dichromate.
- ④ **Clamp band:**
EN-GJS-400-15 ductile cast iron, dichromate.
- ⑤ **Clamp profile:**
EPDM, class 65, dielectric, colour black.
- ⑥ **Nuts and bolts:**
Carbon steel, class 5.6.
Dichromate.



ASSEMBLY

The **ARH** branch connection is appropriate for connecting hydrants or making flanged branch connections without cutting off the pipe. For use with under pressure pipes, a flanged valve must be inserted.



SUPPLY

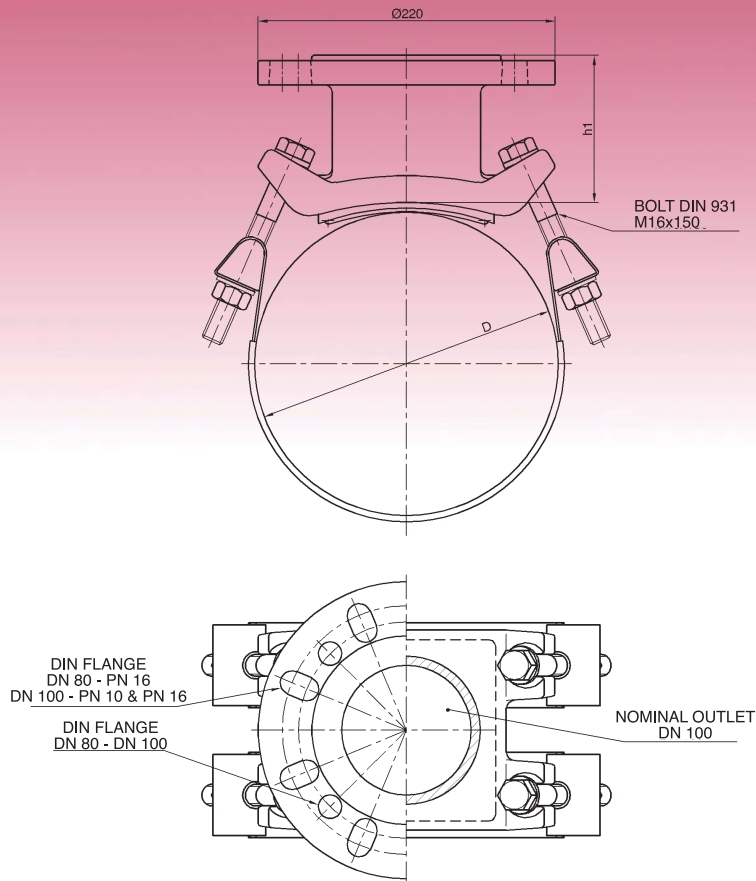
Supplied to order in one package including the two clamp bands and the corresponding saddle (according to diameter).

ARH BRANCH T-CLAMP

• Double band branch connection for rigid pipes with DIN flange connection DN80/100 PN16



DIMENSIONS



DN	d	h1
150	168 - 192	84
175	190 - 220	84
200 A	218 - 238	84
200 B	237 - 257	84
225	256 - 277	84
250	278 - 313	109
300 A	312 - 344	109
300 B	343 - 376	109

DN	d	h1
350 A	375 - 408	109
350 B	407 - 440	109
400 A	439 - 473	109
400 B	472 - 506	109
450 A	505 - 538	109
450 B	537 - 570	109
500 A	569 - 600	109
500 B	599 - 631	109
600 A	630 - 660	109

• RELATED DATASHEETS •

PTR Rigid pipe fittings programme :
REPAIR CLAMPS (flange outlet option)

FC-15-PTR-01E

Published: July 2007/Revision: 0

The information provided in this publication is subject to change without notice.



Juan de la Cierva, 1; Políg. Ind. nº 1
 08960 SANT JUST DESVERN (Barcelona) - SPAIN
 Tel. +34 93 470 30 70 - Fax +34 93 473 00 77
<http://www.acuster.com> mail@acuster.com