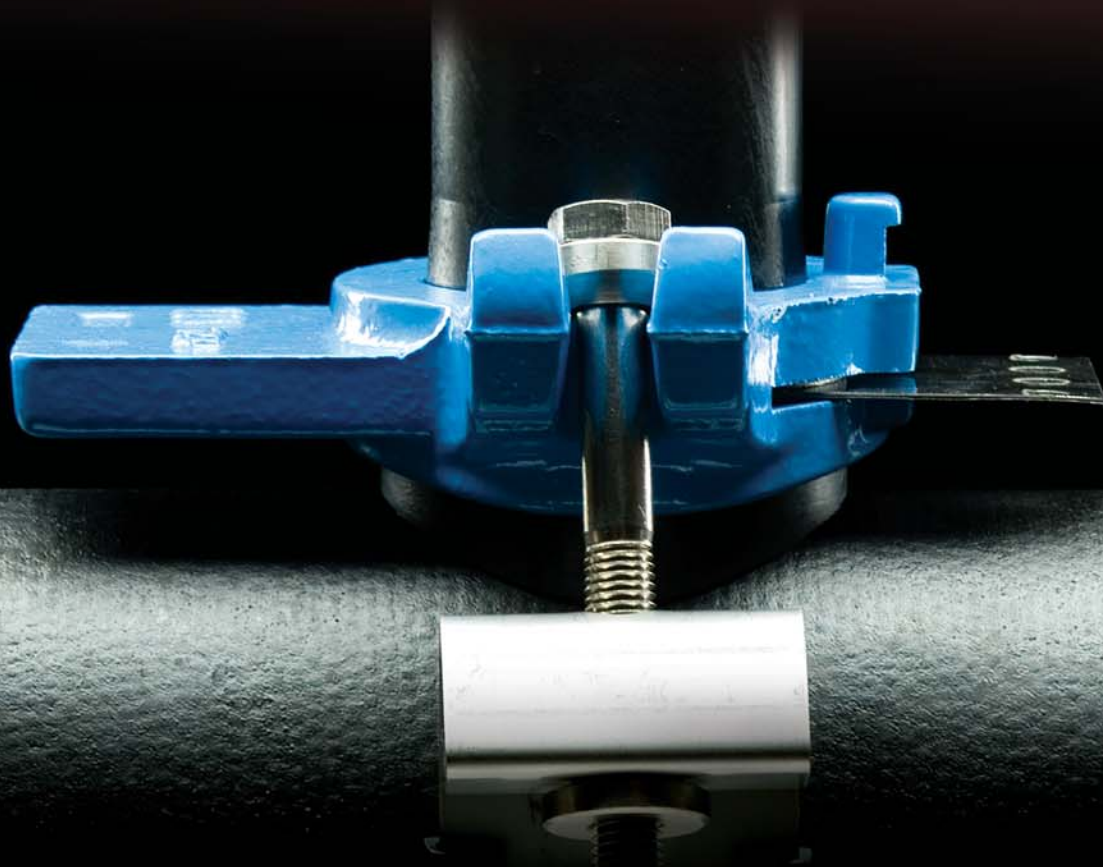


CA-C BRANCH CONNECTION

• Band branch connections for rigid pipes with direct PE outlet of up to diameter 63 for under pressure mains



FC-63-PTR-05E

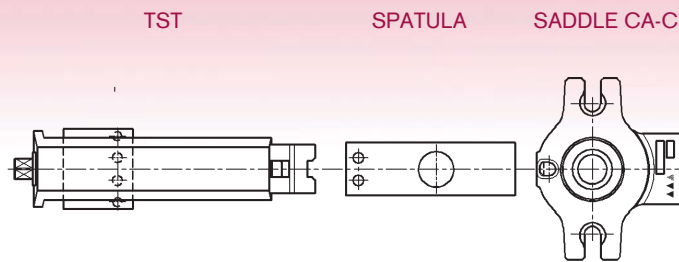


ACUSTER

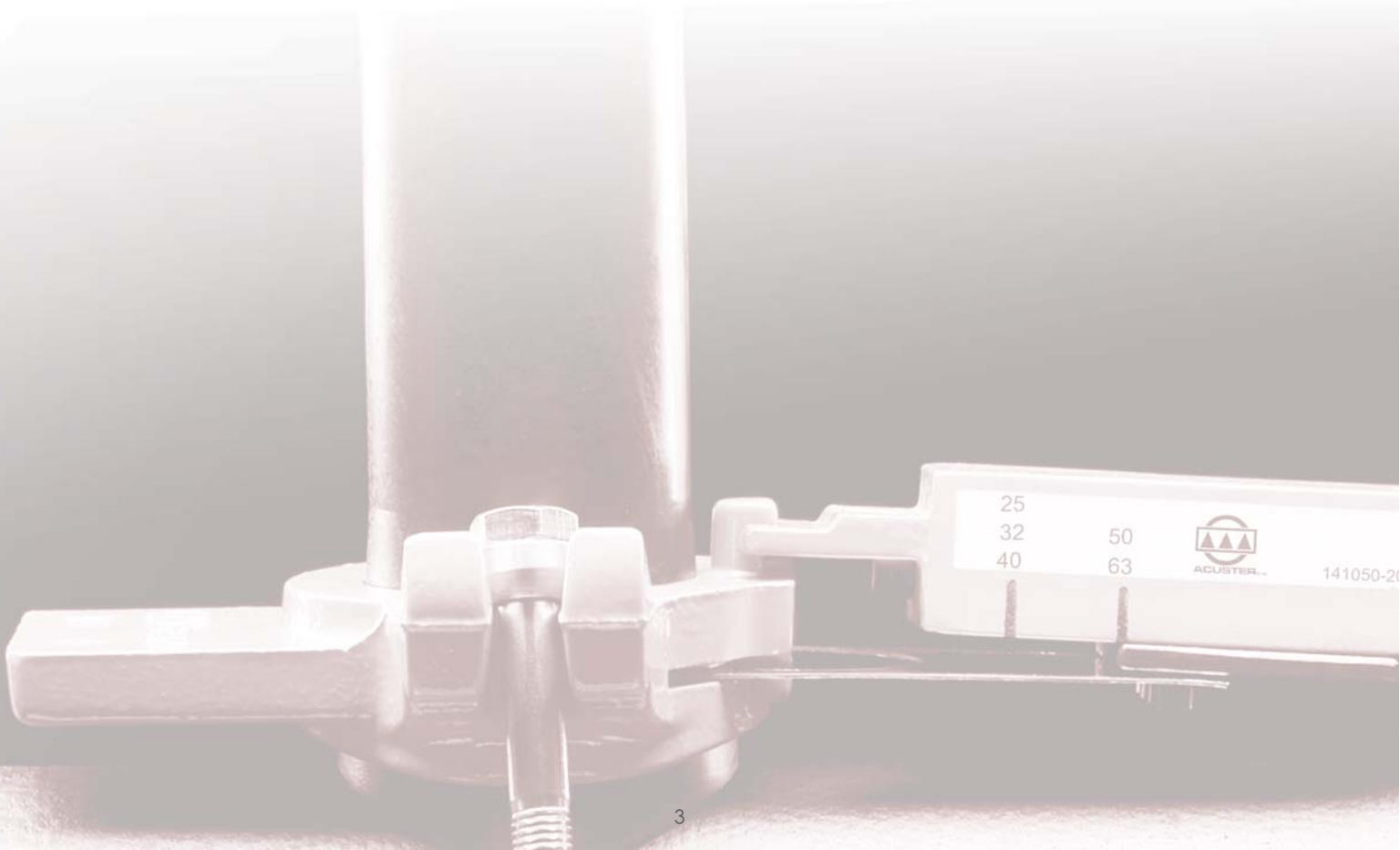


ASSEMBLY

The **CA-C** branch connections allow the work to be carried out on under pressures pipes, displacing the spatula inserted in the saddle using the **TST** (Tapping Saddle Tool), without the need for squeezing off the PE pipe outlet or inserting cut-off elements. For correct installation, we recommend requesting the "Fitting Instructions, publication number IM-63-07E".



We recommend installation using our MP-185 A drilling machine. For the drilling procedure, please request our User Manual "MU-41-07E".

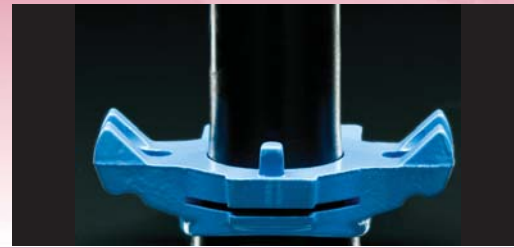




SUPPLY

A complete CA-C branch connection comprises a kit with the following:

- > Camp band with the fasteners.
- > Saddle.
- > Gasket.
- > PE pipe outlet.
- > Stop-off spatula.



SPARES

- > PE pipe outlet.
- > Stop-off spatula.
- > Gasket.



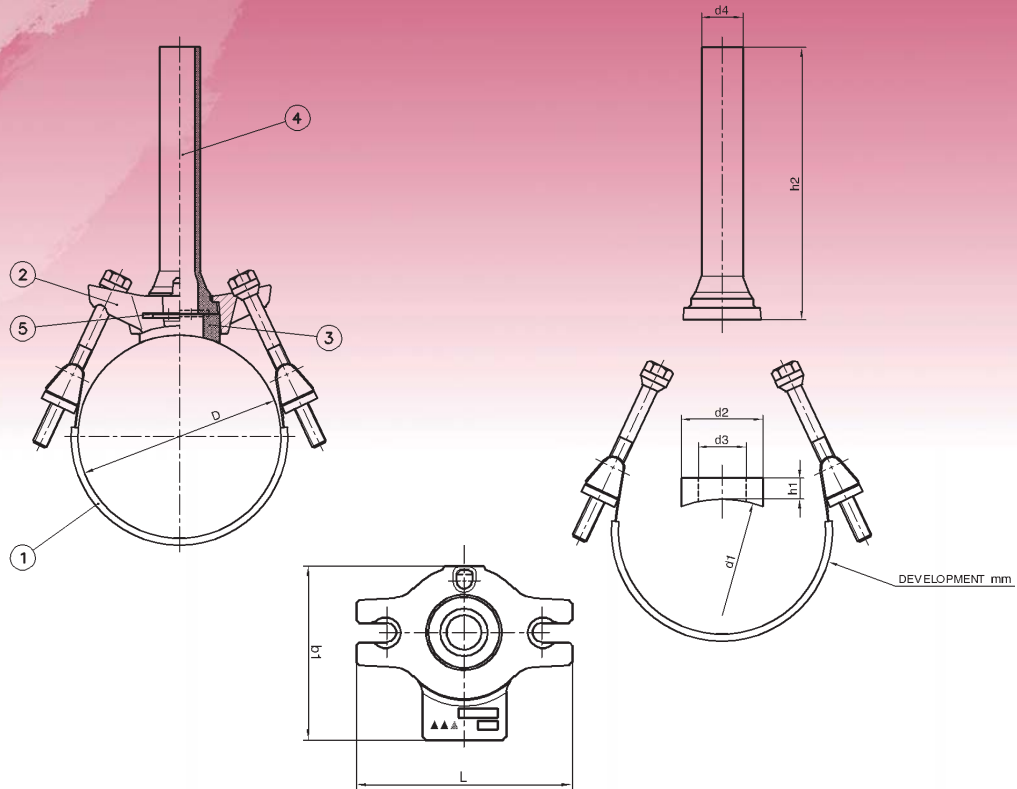
OPTIONS

- > TST. This easy-to-use tool is suitable for extracting the stop-off spatula in the intervention processes.





DIMENSIONS



Outlet	Band		Saddle		Gasket					PE pipe outlet		Spatula
	1	2	3	4	5	6	7	8	9	10	11	
	DN	Range of use	L	b1	Type	d1	d2	d3	h1	d4	h2	Type
PE25	60	63 - 82	144	116	21	70	63	28,5	16	25	210	1
	80	80 - 115	144	116	22	120	63	28,5	16			
	100	112 - 142										
	125	140 - 170										
	150	168 - 198										
	175	190 - 220										
	200	218 - 250	144	116	23	180	63	28,5	16			
	225	248 - 285										
	250	282 - 315										
	300	315 - 347										
300A	345 - 380											
PE32	60	63 - 82	144	116	21	70	63	28,5	16	32	210	1
	80	80 - 115	144	116	22	120	63	28,5	16			
	100	112 - 142										
	125	140 - 170										
	150	168 - 198										
	175	190 - 220										
	200	218 - 250	144	116	23	180	63	28,5	16			
	225	248 - 285										
	250	282 - 315										
	300	315 - 347										
300A	345 - 380											

Continued on next page

CA-C BRANCH CONNECTION

- Band branch connections for rigid pipes with direct PE outlet of up to diameter 63 for under pressure mains



DIMENSIONS

Outlet	Band		Saddle		Gasket					PE pipe outlet		Spatula
	1	2	3	4	5	3		4		5		
	DN	Range of use	L	b1	Type	d1	d2	d3	h1	d4	h2	Type
PE40	60	63 - 82	144	116	21	70	63	28,5	16	40	210	1
	80	80 - 115	144	116	22	120	63	28,5	16			
	100	112 - 142										
	125	140 - 170										
	150	168 - 198										
	175	190 - 220										
	200	218 - 250	144	116	23	180	63	28,5	16			
	225	248 - 285										
	250	282 - 315										
	300	315 - 347										
300A	345 - 380											
PE50	80	80 - 115	170	154	10	120	80	51	21	50	213	2
	100	112 - 142										
	125	140 - 170	170	154	20	180	80	51	21			
	150	168 - 198										
	175	190 - 220										
	200	218 - 250										
	225	248 - 285	170	154	30	300	80	51	21			
	250	282 - 315										
	300	315 - 347										
300A	345 - 380											
PE63	80	94 - 115	170	154	10	120	80	51	21	63	210	2
	100	112 - 142										
	125	140 - 170	170	154	20	180	80	51	21			
	150	168 - 198										
	175	190 - 220										
	200	218 - 250										
	225	248 - 285	170	154	30	300	80	51	21			
	250	282 - 315										
	300	315 - 347										
300A	345 - 380											

• RELATED DATASHEETS •

PTR	Rigid Pipe fittings programme: CA BRANCH CONNECTION (PE pipe outlet saddle) CA-R BRANCH CONNECTION (threaded saddle) ACUSTOP-R BRANCH CONNECTION (threaded tapping saddle)	FC-63-PTR-04E FC-63-PTR-02E FC-63-PTR-03E
PTP	Plastic Pipe fittings programme: ACUFIT (compression fittings for PE pipes)	FC-65-PTP-09E
PMH	Machinery and Tools Programme: MP-185-A DRILLING MACHINE	FC-41-PMH-06E

The information provided in this publication is subject to change without notice.



Juan de la Cierva, 1; Políg. Ind. nº 1
08960 SANT JUST DESVERN (Barcelona) - SPAIN
Tel. +34 93 470 30 70 - Fax +34 93 473 00 77
<http://www.acuster.com> mail@acuster.com